

**DARCY-4x1-WHT  
COMPONENTS**

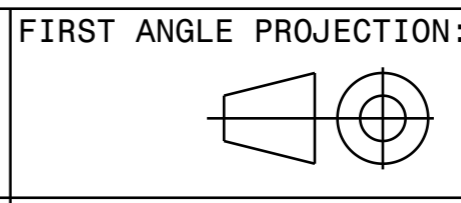
INDEX	PART	TYPE	COUNT
1	L20742_DARCY-4X1-SHD-WHT_001_MechanicalModel_001	SHD	1
2	Mechanical-LENS_Tina-Y-LENS	LENS	4

LP-CODE	LENS PART	COUNT	INDEX	SHD PART	COUNT	INDEX
LP20743_DARCY-4x1-RS-WHT	C18095_TINA-Y-RS	4	2	L20742_DARCY-4X1-SHD-WHT	1	1
LP20744_DARCY-4x1-SS-WHT	C18096_TINA-Y-SS	4	2			
LP20745_DARCY-4x1-M-WHT	C18097_TINA-Y-M	4	2			
LP20746_DARCY-4x1-W-WHT	C18098_TINA-Y-W	4	2			
LP20747_DARCY-4x1-WW-WHT	C18099_TINA-Y-WW	4	2			
LP20748_DARCY-4x1-O-WHT	C18100_TINA-Y-O	4	2			

**MECHANICAL DRAWING**  
PRODUCT **DARCY-4x1**



Plastic moulding general tolerances according to DIN 16901-130 and applies if not otherwise shown in the drawing. Silicone moulding general tolerances according to ISO 3302-1 Class M3 and applies if not otherwise shown in the drawing.



This drawing is the property of LEDiL Oy. It may not be copied or otherwise distributed without prior written permission from LEDiL Oy.

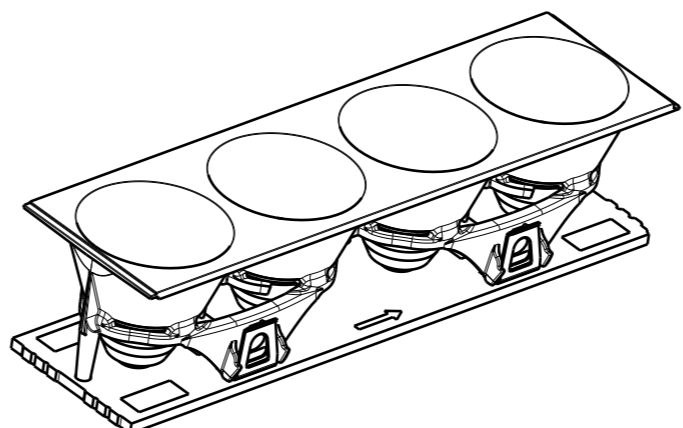
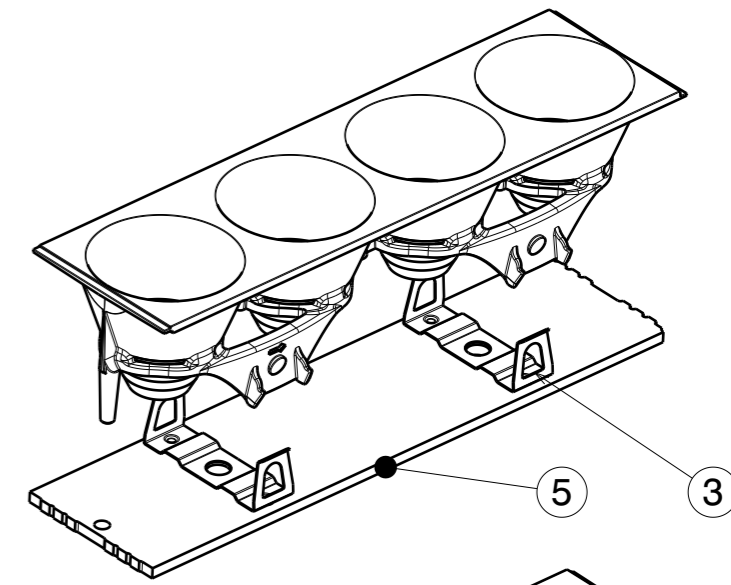
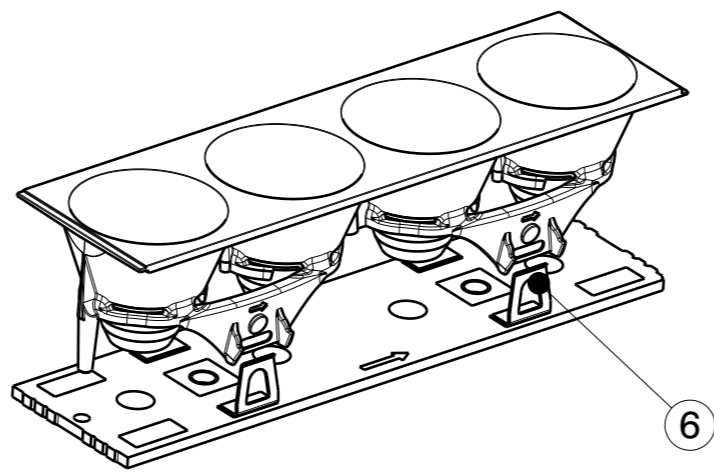
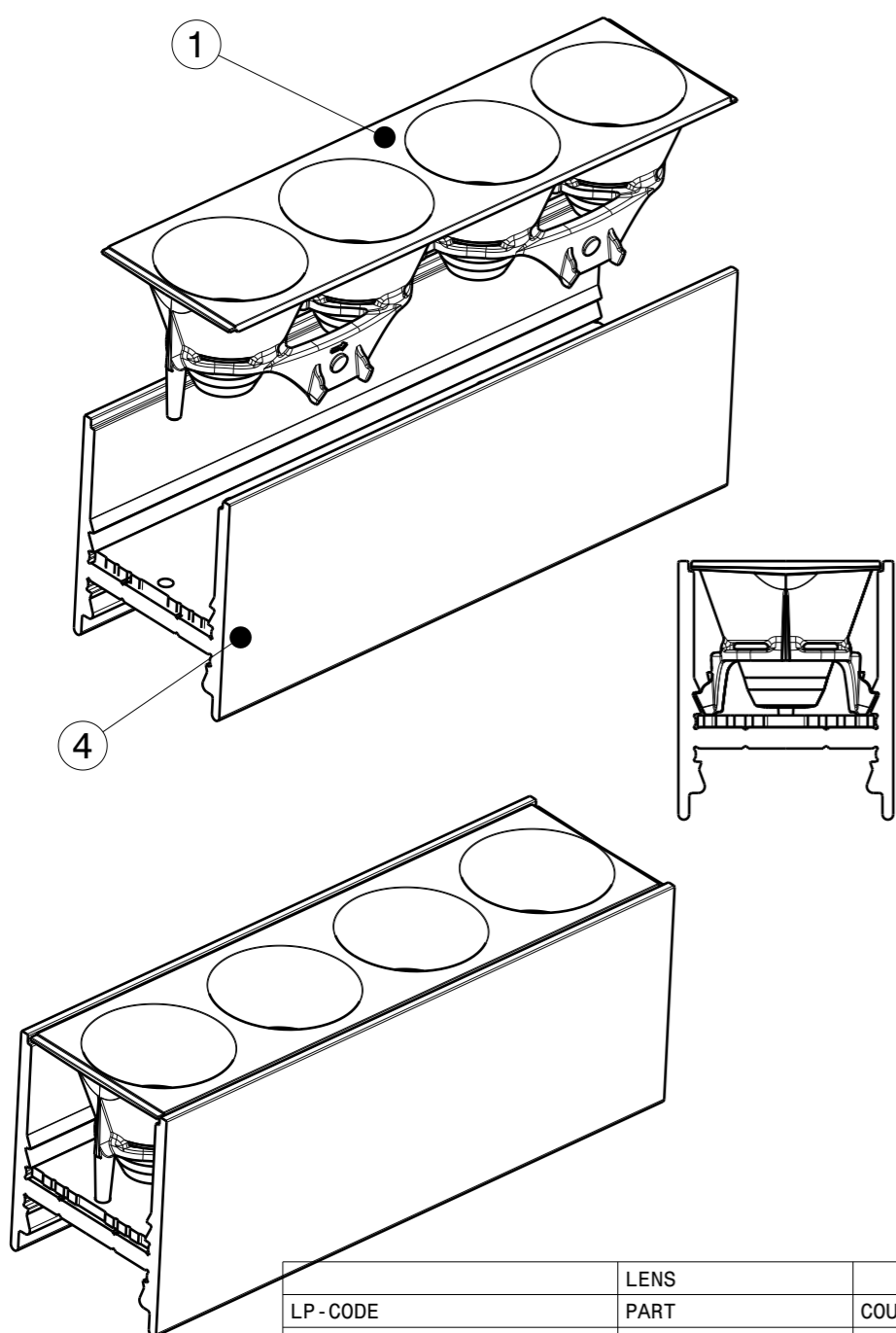
SCALE 1:1      WEIGHT -      A3 SHEET 1/1

- Notes**
- PCB or heatsink level.
  - LED location
  - Ensure LED fitting from a product specific 3D model available from [www.ledil.com](http://www.ledil.com)
  - For more details about installation please see LEDiL Installation Guide on [www.ledil.com](http://www.ledil.com)

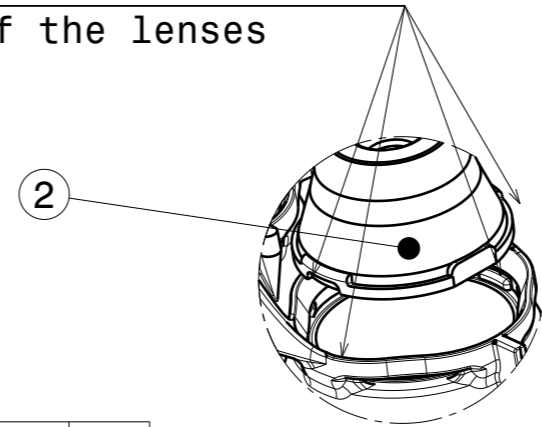
LENS assembly TO PROFILE

Assembly: SOLDER-CLIP-2

Assembly: DARCY-CLIP



Assembly direction features  
Both side of the lenses



DARCY-4x1-WHT  
COMPONENTS

INDEX	PART	TYPE	COUNT
1	L20742_DARCY-4X1-SHD-WHT_001_MechanicalModel_001	SHD	1
2	Mechanical-LENS_Tina-Y-LENS	LENS	4
3	C19691_DARCY-CLIP_	CLIP	2
4	C19690_DARCY-PROFILE_	PROFILE	1
5	DARCY-PCB_	PCB	1
6	C18696_SOLDER-CLIP-2	CLIP	4

LENS				SHD			
LP-CODE	PART	COUNT	INDEX	PART	COUNT	INDEX	
LP20743_DARCY-4x1-RS-WHT	C18095_TINA-Y-RS	4	2	L20742_DARCY-4X1-SHD-WHT	1	1	
LP20744_DARCY-4X1-SS-WHT	C18096_TINA-Y-SS	4	2				
LP20745_DARCY-4X1-M-WHT	C18097_TINA-Y-M	4	2				
LP20746_DARCY-4X1-W-WHT	C18098_TINA-Y-W	4	2				
LP20747_DARCY-4X1-VV-WHT	C18099_TINA-Y-VV	4	2				
LP20748_DARCY-4X1-O-WHT	C18100_TINA-Y-O	4	2				

**MECHANICAL DRAWING**

PRODUCT  
**DARCY-4x1**

Plastic moulding general tolerances according to DIN 16901-130 and applies if not otherwise shown in the drawing. Silicone moulding general tolerances according to ISO 3302-1 Class M3 and applies if not otherwise shown in the drawing.

FIRST ANGLE PROJECTION:

SCALE 1:1      WEIGHT -

**LEDiL**

This drawing is the property of LEDiL Oy. It may not be copied or otherwise distributed without prior written permission from LEDiL Oy.

A3 SHEET 1/1

- Notes**
- PCB or heatsink level.
  - LED location
  - Ensure LED fitting from a product specific 3D model available from [www.ledil.com](http://www.ledil.com)
  - For more details about installation please see LEDiL Installation Guide on [www.ledil.com](http://www.ledil.com)